

防爆灯具

RDB98

防爆免维护节能灯(LED)

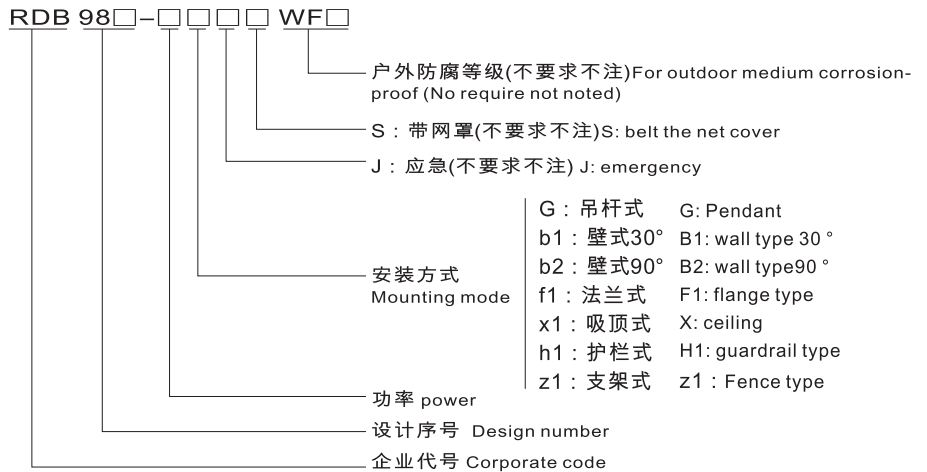


适用范围 Application

适用于ⅡA、ⅡB、ⅡC类含有爆炸性气体或蒸汽环境，温度组别为T1-T6的1区、2区室内外危险场气或20区、21区、22区爆炸性或可燃性粉尘场所室内照明。

It is applicable for explosive gas or steam atmospheres of CAT II A, II B and II C, temperature classification from T1 to T6, is mainly applied to Zone 1 and Zone 2 hazardous locations indoors and outdoors, or explosive or combustible dust atmospheres Zones 20, 21 and 22, used for lighting indoors and outdoors.

型号含义 Model implication



正常工作条件 Normal working conditions

- ◆ 安装地点的海拔不超过2000m;
- ◆ 周围环境温为-40℃ ~ +40℃，且24h内的平均温度值不超过+35℃;
- ◆ 周围空气相对湿度不大于95%(+25℃)
- ◆ 在无剧烈振动、冲击及摇动的地方;
- ◆ 适用于1区、2区、ⅡA、ⅡB、ⅡC类及T1 ~ T6组爆炸性气体环境或可燃性粉尘场所。

RDB98

Explosion proof maintenance free energy saving lamp (LED)

- ◆ Altitude of the installation site shall not beyond 2000m;
- ◆ Ambient temperature should be within $-40^{\circ}\text{C} \sim +40^{\circ}\text{C}$, average temperature within 24h shall not exceed $+35^{\circ}\text{C}$;
- ◆ Ambient air relative humidity shall not exceed 95% ($+25^{\circ}\text{C}$);
- ◆ Installation site shall be free of severe vibration, shock or shake;
- ◆ It is applicable for explosive gas atmospheres Zones 1 and 2, or combustible dust atmospheres Zones 20, 21 and 22, CAT II A, II B and II C, and temperature classification from T1 to T6.

产品结构性能 Product structure performance

- 1、灯具防爆型式为隔爆型或粉尘防爆型，适用于气体或粉尘爆炸危险场所照明使用。
- 2、灯具由光源腔，电器腔，接线腔构成，密闭式设计。
- 3、灯具由铝合金压铸成型，电器腔内含LED开关电源，接线端子等电器，接线腔内含用户接线端子，光源腔内部设有铝合金镜面反射器。钢化玻璃透光罩采用环氧树脂胶封，透光率高，抗冲击强。网罩采用优质不锈钢，表面聚酯粉末喷涂(防腐型外壳经过特殊金属外处理再表面聚酯粉末喷涂)。
- 4、灯具外露紧固件采用优质不锈钢，安装有橡胶密封垫，密封可靠，防水防尘防腐性强。内置橡胶件，电线外皮，塑料全采用抗高温抗阻燃件，更安全可靠。
- 5、本灯具适用于管吊式，吸顶式、吸壁式、立杆式、支架式多种安装方式。
- 6、电源采用整体散热技术，短路、过流、过压、过温保护。
- 7、灯具具有长寿命、高亮度抗震性好、外观美观大方，长期使用免维护。是节能、环保理想的防爆灯具。

1. The lamp is of flameproof or dust explosion-proof type, is suitable for gas or dust explosion hazardous locations.
2. The lamp is composed of light source chamber, electric chamber and wiring chamber, enjoys sealed design.
3. The lamp enclosure is made of aluminum alloy by means of die-casting forming, with LED switching power supply, terminal blocks and other electrical devices inside the electric chamber, there are terminal blocks for user wiring in the wiring chamber, and has aluminum alloy specular reflector in the light source chamber. The toughened glass shade adopts epoxy resin sealant, is of good light transmittance and high shock resistance. The mesh enclosure is made of high quality stainless steel, its surface is treated with polyester powder coating (anti-corrosion enclosure also has been treated with special metallic processing before polyester powder coating).

RDB98

防爆免维护节能灯(LED)

4. The exposed fasteners are made of high quality stainless steel, are equipped with rubber gasket, with reliable sealing performance, excellent waterproof, dustproof and anti-corrosive properties. Built-in rubber parts, wire jacket, and plastics all use high-temperature resistant and flame retardant articles, safer and more reliable.
5. All kinds of installation ways are suitable, such as hanging type, ceiling type, wall-mounted type, post type, bracket type, etc.
6. The power supply adopts integral heat dissipation technology, with protections against short circuit, over current, over voltage, over heat, etc.
7. The lamp enjoys long service life, high brightness, good antiknock characteristic, elegant appearance, maintenance free. It is an ideal product for energy saving and environment protection.

主要技术参数 Main technical parameters

型号/Model	RDB98
执行标准/Implementation of standards	Gb3836(等效于IEC60079、EN系列标准) GB12476(等效于IEC61241、EN系列标准)
防爆标志/Explosion-proof mark	ExdembIICT6Gb/ExtDA21IP65T80°C
额定电压/Rated voltage	90—264VAC or 127—300VDC
频率范围/Frequency range	47—63Hz
额定功率/Rated power	30w—100w
功率因数/PFC	≥0.95
电源效率/Power Efficiency	≥0.9
显色指数(CRI)	≥80
浪涌电流/Inrush current	冷启动/Cold;30A(max)230VAC
安规/Safety Standards	UL8750,TUV EN61347-1,EN61347-2-13
电磁兼容性标准/EMC Standards	EN61000-3-2,TUV EN61347-1,EN61347-2-13
防护等级/Protection grade	IP66
防腐等级/The anti-corrosion class	WF2
进线口螺纹/Inlet thread	G20
电缆规格/Cable's spec	Φ10—Φ14mm
安装方式/Installation	吊杆式、壁挂式、吸顶式、支架式
工作环境/Working Environment	温度:-40~45°C 湿度:10%~90%
工作寿命/Work life	≥100000H

RDB98

Explosion proof maintenance free energy saving lamp (LED)


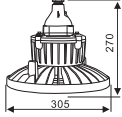
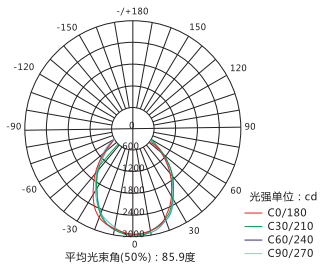

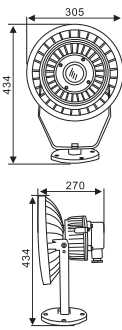
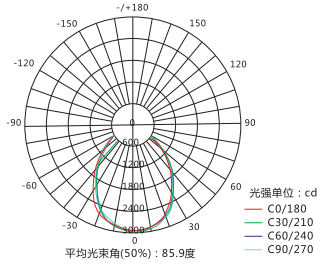
使用与维护 The use and maintenance

- ◆ 防爆灯在使用前，首先要仔细检查铭牌内容与客户订货是否相符合；
 - ◆ 防爆灯在安装时先将进线电缆通过引入装置接到接线腔的接线端子上，并压紧密封圈，使电缆密封好，接好接地线，紧固好螺钉，上述各项检查无误后，即可通电使用；
 - ◆ 防爆灯不得随意拆卸，维护时，须断开前级电源后才可开盖检修；一般不需要检修本产品具有长寿命特点。
 - ◆ 在维修过程中不得损坏隔爆面，维修后涂204-1防锈油，合好盖，紧固后方可使用；
 - ◆ 防爆灯应定期检查，清理透明件表面灰尘。
 - ◆ 障碍物距防爆外壳大于30mm。
-
- ◆ Before putting into operation, please check the nameplate first to make sure that the parameters are what you ordered.
 - ◆ Before installing the lamp, please connect the incoming cable to the terminal block in the wiring chamber through the entry device, compress the seal ring, well connect earth wire, and tighten the screws. Examine and make sure everything is right, then switch on the power supply;
 - ◆ Don't disassemble the lamp randomly, when repairing, must cut off the power supply first before opening the cover for maintenance; usually it need not to repair, as it is featured with long service life.
 - ◆ Pay attention to not hurt the explosion-suppression surface during maintenance, coat with anti-rust oil 204-1 after maintenance, close the clover, make sure to tighten it before using;
 - ◆ Inspect the lamp regularly, clear away the dust from the transparent parts.
 - ◆ Distance from the explosion-proof shell to the obstacle should be more than 30mm.

RDB98

防爆免维护节能灯(LED)

产品外形及安装示意图 Product appearance and installation diagram

产品型号 Model	产品图片 Product picture	外形尺寸 dimensions	重量 packing	配光曲线图 Distribution curve
RDB98-8640			5.7kg	
RDB98-8649			6.2kg	

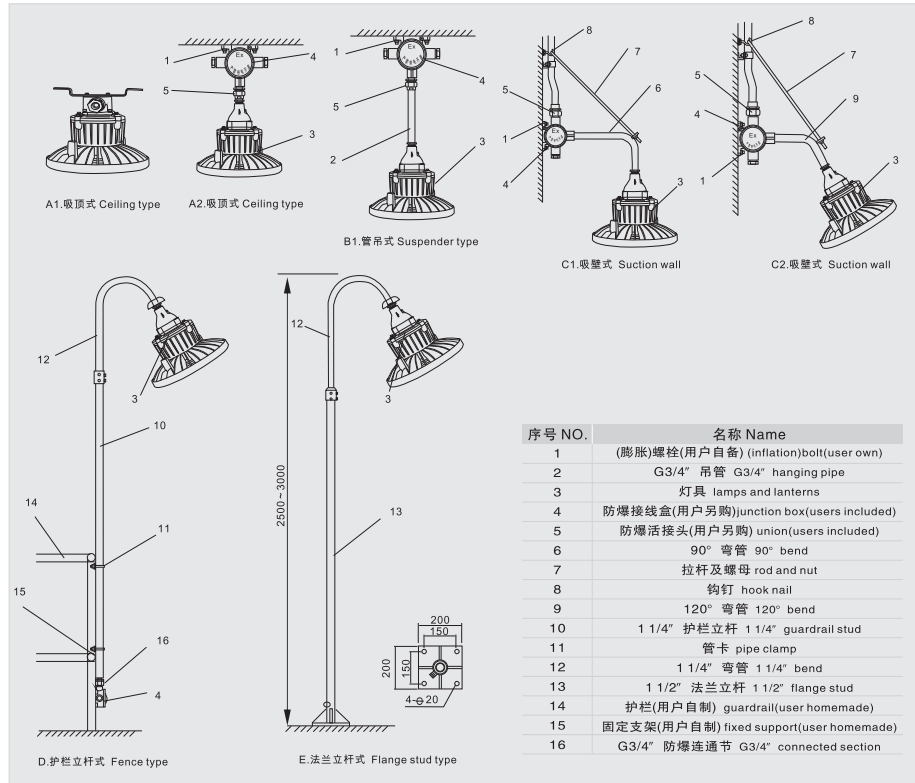
注：以上为标配配光曲线图，可根据客户配光要求定制。

Note: the distribute curve above is conventional, can be customized according to customer requirements.

RDB98

Explosion proof maintenance free energy saving lamp (LED)

产品外形及安装示意图 Product appearance and installation diagram



订货须知 Order note

- 1、客户在订货时请按照产品型号逐条选择。
 - 2、本灯具出厂时已配好电源和光源。
 - 3、灯具可选配不锈钢网罩。
 - 4、灯具如经防震处理能适应较强振动环境下使用。
 - 5、灯具可选配270度至30度配光折射角。
 - 6、灯具出厂3、4、5条如有需要，应在订货时说明。
1. Please select product according to the model description carefully.
 2. Power supply and light source have been prepared along with the lamp.
 3. Stainless steel mesh enclosure is optional.
 4. It is suitable for strong vibration atmospheres after anti-shock treatment.
 5. Light angles 270° and 30° are optional.
 6. Please give clear indications if need abovementioned items 3, 4 and 5 before leaving the factory.