

防爆灯具

RDB98

防爆免维护投光灯/泛光灯(LED)

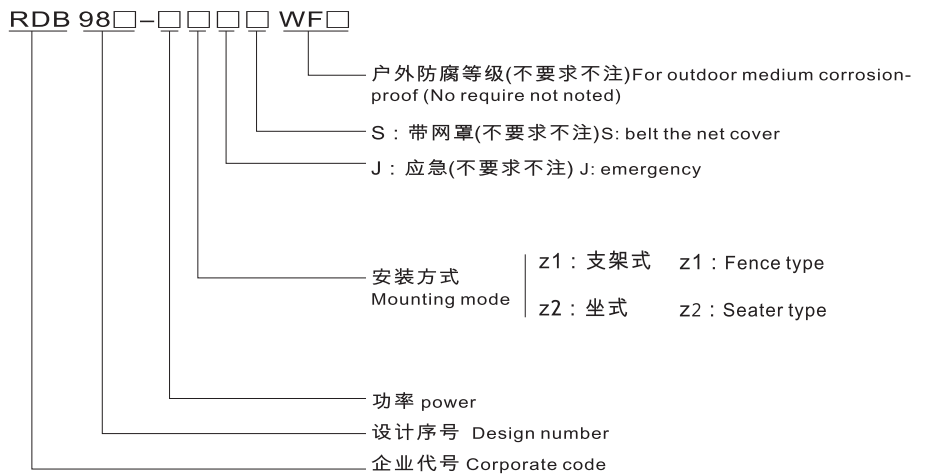


适用范围 Application

适用于ⅡA、ⅡB、ⅡC类含有爆炸性气体或蒸汽环境，温度组别为T1-T6的1区、2区室内外危险场气或20区、21区、22区爆炸性或可燃性粉尘场所室内照明。

It is applicable for explosive gas or steam atmospheres of CAT II A, II B and II C, temperature classification from T1 to T6, is mainly applied to Zone 1 and Zone 2 hazardous locations indoors and outdoors, or explosive or combustible dust atmospheres Zones 20, 21 and 22, used for lighting indoors and outdoors.

型号含义 Model implication



正常工作条件 Normal working conditions

- ◆ 安装地点的海拔不超过2000m;
- ◆ 周围环境温为-40℃ ~ +40℃，且24h内的平均温度值不超过+35℃;
- ◆ 周围空气相对湿度不大于95%(+25℃)
- ◆ 在无剧烈振动、冲击及摇动的地方;
- ◆ 适用于1区、2区、ⅡA、ⅡB、ⅡC类及T1 ~ T6组爆炸性气体环境或可燃性粉尘场所。

RDB98

Explosion proof maintenance free
light / flood lamp (LED)

- ◆ Altitude of the installation site shall not beyond 2000m;
- ◆ Ambient temperature should be within $-40^{\circ}\text{C} \sim +40^{\circ}\text{C}$, average temperature within 24h shall not exceed $+35^{\circ}\text{C}$;
- ◆ Ambient air relative humidity shall not exceed 95% ($+25^{\circ}\text{C}$);
- ◆ Installation site shall be free of severe vibration, shock or shake;
- ◆ It is applicable for explosive gas atmospheres Zones 1 and 2, or combustible dust atmospheres Zones 20, 21 and 22, CAT II A, II B and II C, and temperature classification from T1 to T6.

产品结构性能 Product structure performance

- 1、灯具防爆型式为隔爆型或粉尘防爆型，适用于气体或粉尘爆炸危险场所照明使用。
- 2、外壳采用高强度铸铝合金，一次性压铸成型，抗冲击快强，表面经高速抛丸后聚酯粉末，防腐性能好，外形美观。LED光源与灯体为一体式结构，安装、接线和维护方便。
- 3、防爆灯各外壳连接处均采用“O”型密封圈使灯具具有较好的防护性能。
- 4、产品具有长寿命、节能、环保、亮光效、外形美观等优点是理想的实用防爆灯具。
- 5、灯具外露紧固件材质均采用不锈钢，灯具的防腐性能强。
- 6、防爆灯可加应急装置，应急、照明光源同为LED光源，当使电网突发故障，灯具能在瞬间自动切换到应急照明状态。
- 7、防爆灯安装方式多种，钢管或电缆布线，可供客户选用。

1. The lamp is of flameproof or dust explosion-proof type, is suitable for gas or dust explosion hazardous locations.
2. The enclosure is made of high-strength cast aluminum alloy by using one-step molding technology, high shock resistance, the surface is treated with polyester powder coating after high speed shot blasting, with good antiseptic property and elegant appearance. The LED light source is integrated with the lamp body, it is more convenient for installation, wiring and maintenance.
3. The joint part of lamp enclosure adopts O ring that enables the lamp to have better protective performance.
4. The product is featured with long service life, energy saving, environmental protection, high brightness, elegant appearance and so on, is an ideal explosion-proof lamp.
5. The exposed fasteners are made of stainless steel, the lamp enjoys excellent antiseptic property.
6. The lamp also can be equipped with emergency device that also adopts LED light source, once there is unexpected power failure, the lamp can be switched to emergency lighting state instantly and automatically.
7. All kinds of installation ways are suitable, such as steel tube, cable layout, etc.

RDB98

防爆免维护投光灯/泛光灯(LED)

主要技术参数 Main technical parameters

型号/Model	RDB98
执行标准/Implementation of standards	Gb3836(等效于IEC60079、EN系列标准) GB12476(等效于IEC61241、EN系列标准)
防爆标志/Explosion-proof mark	ExdembIICT6Gb/ExtDA21IP65T80°C
额定电压/Rated voltage	90—264VAC or 127—300VDC
频率范围/Frequency range	47—63Hz
额定功率/Rated power	80w—150w
功率因数/PFC	≥0.95
电源效率/Power Efficiency	≥0.9
显色指数(CRI)	≥80
浪涌电流/Inrush current	冷启动/Cold;30A(max)230VAC
安规/Safety Standards	UL8750,TUV EN61347-1,EN61347-2-13
电磁兼容性标准/EMC Standards	EN61000-3-2,TUV EN61347-1,EN61347-2-13
防护等级/Protection grade	IP66
防腐等级/The anti-corrosion class	WF2
进线口螺纹/Inlet thread	G20
电缆规格/Cable's spec	Φ10—Φ14mm
安装方式/Installation	支架式
工作环境/Working Environment	温度:-40~45°C 湿度:10%~90%
工作寿命/Work life	≥100000H

使用与维护 The use and maintenance

- ◆ 防爆灯在使用前，首先要仔细检查铭牌内容与客户订货是否相符合；
- ◆ 防爆灯在安装时先将进线电缆通过引入装置接到接线腔的接线端子上，并压紧密封圈，使电缆密封好，接好接地线，紧固好螺钉，上述各项检查无误后，即可通电使用；
- ◆ 防爆灯不得随意拆卸，维护时，须断开前级电源后方可开盖检修；一般不需要检修本产品具有长寿命特点。
- ◆ 在维修过程中不得损坏隔爆面，维修后涂204-1防锈油，合好盖，紧固后方可使用；
- ◆ 防爆灯应定期检查，清理透明件表面灰尘。
- ◆ 障碍物距防爆外壳大于30mm。

◆ Before putting into operation, please check the nameplate first to make sure that the parameters are what you ordered.

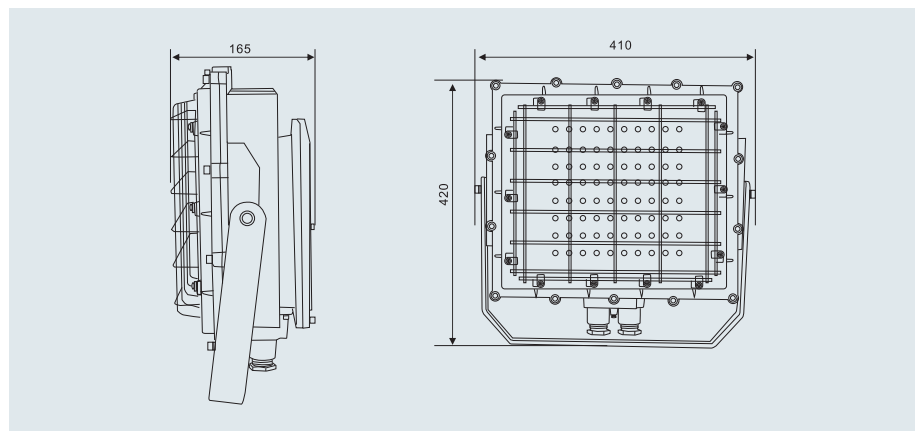
◆ Before installing the lamp, please connect the incoming cable to the terminal block in the wiring chamber through the entry device, compress the seal ring, well connect earth wire, and tighten the screws. Examine and make sure everything is right, then switch on the power supply;

RDB98

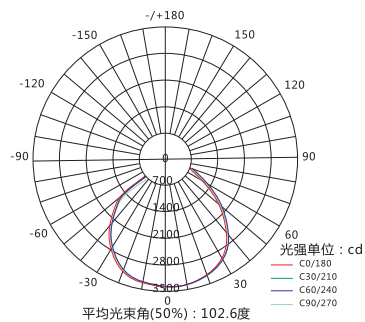
Explosion proof maintenance free light / flood lamp (LED)

- ◆ Don't disassemble the lamp randomly, when repairing, must cut off the power supply first before opening the cover for maintenance; usually it need not to repair, as it is featured with long service life.
- ◆ Pay attention to not hurt the explosion-suppression surface during maintenance, coat with anti-rust oil 204-1 after maintenance, close the clover, make sure to tighten it before using;
- ◆ Inspect the lamp regularly, clear away the dust from the transparent parts.
- ◆ Distance from the explosion-proof shell to the obstacle should be more than 30mm.

产品外形及安装示意图 Product appearance and installation diagram



配光曲线 Distribution curve



注：以上为标配配光曲线图，可根据客户配光要求定制。
Note: the distribute curve above is conventional, can be customized according to customer requirements.