

BHD51(CHD51)

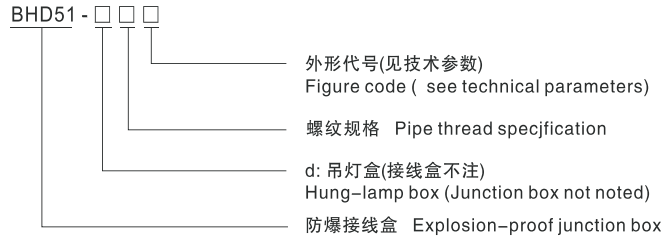
系列防爆接线盒(e、II B、II C)



适用范围 Application

- 适用于1区、2区危险场所。
- 适用于II A、II B、II C类，温度组别为T1~ T6的环境。
- Can be used in hazardous areas: Zone 1 and Zone 2
- Can be used in explosive gas atmospheres of Category IIA 、 IIB and II C where the temperature classification is T1 ~ T6.

型号含义 Model implication



主要技术参数 Main technical parameters

- 执行标准：GB 3836.1、GB 3836.2、IEC60079
- 额定电压：AC 380V/220V
- 额定电流：20A
- 防腐等级：WF1
- Implementing the standard : GB 3836.1、GB 3836.2、IEC60079
- Rated voltage: AC 380V/220V
- Rated current: 20A
- Explosion-proof class: WF1

型号规格 Type	防爆标志 Ex-mark	防护等级 Protection grade	管螺纹规格 Thread specification
防爆型接线盒(II B) Flame-proof, junction box	Exd II BT6	IP54	G1/2 " 、 G3/4 " G1 " 、 G1 1 / 4 " G1 1/2 " 、 G2 "
防爆型接线盒(II C) Flame-proof, junction box	Exd II CT6 Gb	IP65	
防爆型接线盒(e) Flame-proof, junction box	Exe II T6	IP65	
吊灯盒Hung-lamp box(BHd51-d)	Exd II BT6	IP54	G3/4"

BHD51(CHD51)

Type explosion-proof junction box (e, II B, II C)

接线盒代号，外形及名称一览表

Junction box code, outline and descriptions as the following table.

代号Code	外形Outline	名称Description	
A		一通平	1 entry in horizon
B		直二通平	2 direct entries in horizon
C		三通平	3 entries in horizon
D		四通平	4 entries in horizon
E		直角二通平	2 perpendicular entries, in horizon
F		一通吊	1 entry in horizon
G		直二通吊	2 direct entries in horizon
H		三通吊	3 entries in horizon
I		四通吊	4 entries in horizon
J		直角二通吊	2 perpendicular entries, in horizon

注：1、“○”表示平盖，“◎”表示吊盖；

- 2、在正常情况下，吊盖与通头同口径，如特殊要求可特制。
- 3、通头一般为圆柱管螺纹；
- 4、吊灯盒均为三通头、管螺纹G3/4”；

标注举例：BHD51-G1/2”-G：BHD51系列防爆接线盒，管螺纹为G1/2”，直二通吊。

BHD51-d含义：BHD51系列防爆吊灯盒，管螺纹为G3/4”。

Note: 1. “○” horizontal cover, “◎” hung cover.

2. Generally the diameter of entry is equal to that of hung cover hole. Special requirement can be available.
3. The entry is often made as pipe thread G1/2", G3/4", G1", also special requirement can be made.

For Example:

1. BHD51-G1/2”-G means: BHD51 explosion-proof junction box, pipe thread G1/2", 2 direct entries with horizontal cover.
2. BHD51-d means: BHD51 explosion-proof junction box, pipe thread G3/4", 2 perpendicular entries with hung cover.

产品特点 Features

- 外壳采用ZL102铝合金压铸成型，表面高压静电喷塑；
- 进出线口有多种方式及规格；
- 进出线口螺纹可特制，可制成公制螺纹，NPT螺纹等形式；
- 钢管或电缆布线。

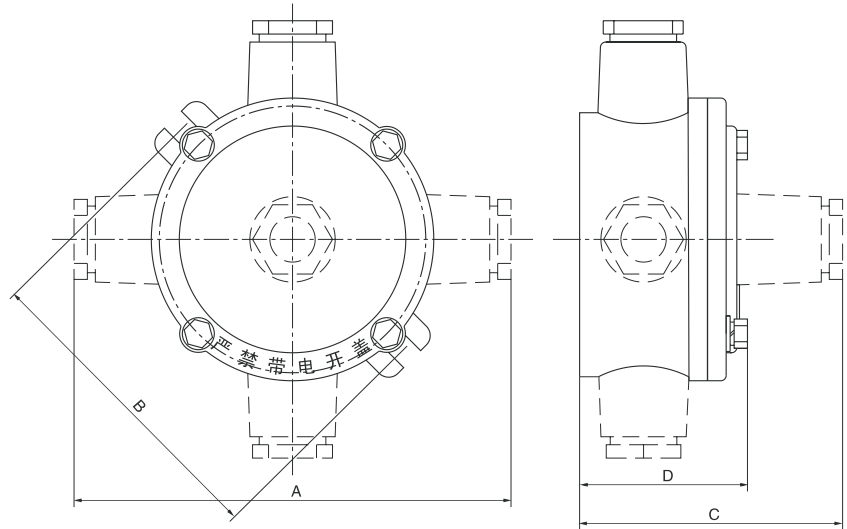
BHD51(CHD51)

系列防爆接线盒 (e、II B、II C)

- The housing is die cast in aluminum alloy, with high voltage static plastic-sprayed surface.
- Inlet or outlet has many kinds of modes and specifications.
- Thread specification can be specially designed, and can designed metric thread and thread NPT etc.
- Conduit wiring or cable wiring.

外形及安装举例 Outline and mounting example

II B类、增安型接线盒 II B Group, safety-increased junction box outline sketch map



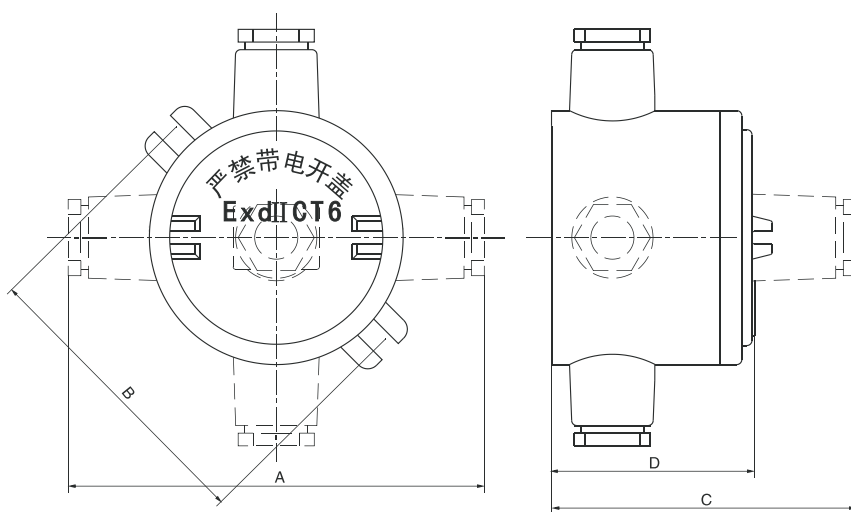
电缆外径(φ,mm) Cable's outer diameter	管螺纹(G1") Pipe thread	A	B	C	D
6~10	1/2"	166	108	104	68
9~14	3/4"	168	108	105	68
11~18	1"	170	108	-	68
14~25	1 1/4"	180	116	-	94
17~28	1 1/2"	180	116	-	94
25~38	2"	220	135	-	115

BHD51(CHD51)

Type explosion-proof junction box (e,
II B、II C)

外形及安装举例 Outline and mounting example

II C类接线盒 II C Group junction box outline sketch map



电缆外径(φ,mm) Cable's outer diameter	管螺纹(G1") Pipe thread	A	B	C	D
6~10	1/2"	175	114	110	85
9~14	3/4"	175	114	110	85
11~18	1"	175	114	-	85
14~25	1 1/4"	180	116	-	94
17~28	1 1/2"	180	116	-	94
25~38	2"	220	135	-	115