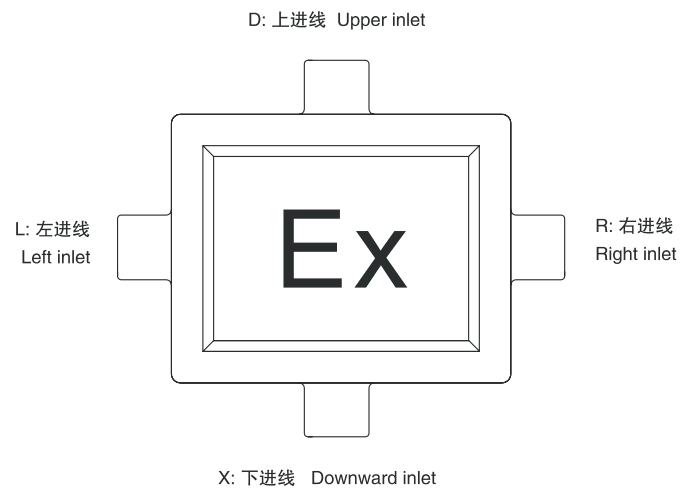


BXJ

Type explosion-proof junction box
(II B、II C、e)

进线示意图 Inlet diagram



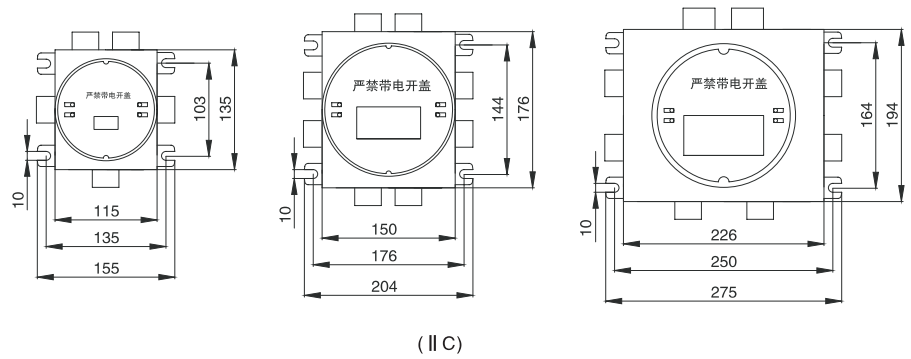
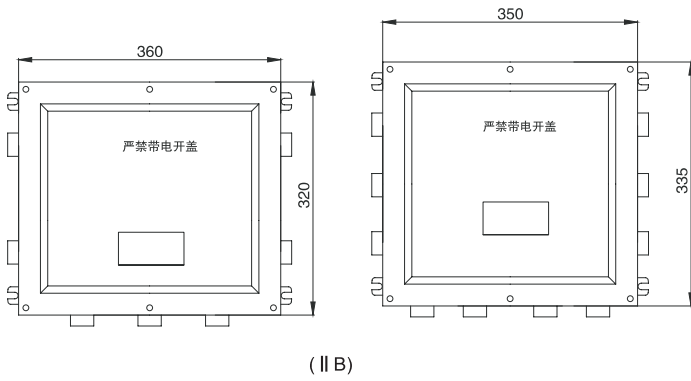
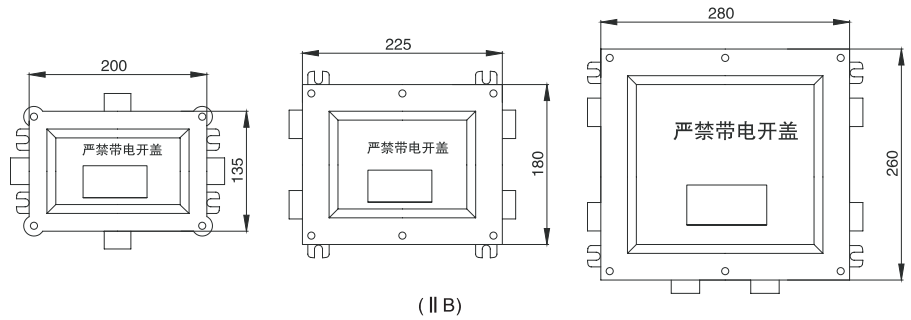
产品特点 Features

- 壳体采用ZL102铝合金压铸成型，表面高压静电喷塑
 - 接线端子采用增安型接线端子，接线方便、牢固可靠，并且电流大小有多种规格可供用户任意选配。
 - 进线口方向可根据用户要求确定，并可根据用户要求直接配装DQM系列电缆密封接头。
 - 进出线口螺纹可特制，可制成公制螺纹，NPT 螺纹等形式。
 - 增安型外壳可根据用户要求采用不锈钢制作，用户如有要求请注明。
- The housing is die cast in aluminum alloy, with high voltage static plastic-sprayed surface.
 - Use a safety-increased special terminal, convenient to connect, secure and reliable, the current's specification can be determined by clients.
 - The direction of inlet can be determined by clients, selecting inlet can be filled with BDM series cablesealing connector as required
 - Thread specification can be specially designed, can be made into metric thread or NPT thread.
 - Increased-safety housing can be made of stainless steel according to customers' requirements, please give indication if need.

BXJ

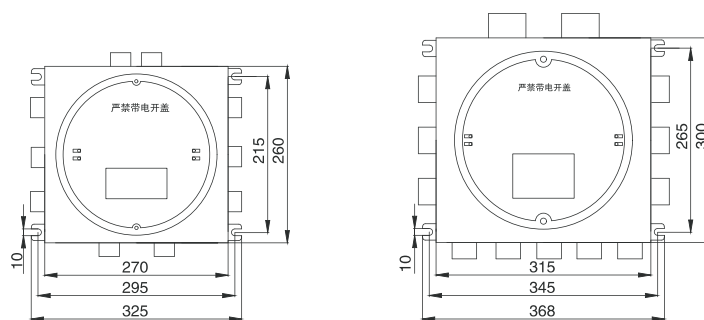
系列防爆接线箱(II B、II C、e)

外形及安装尺寸 Outline and mounting example

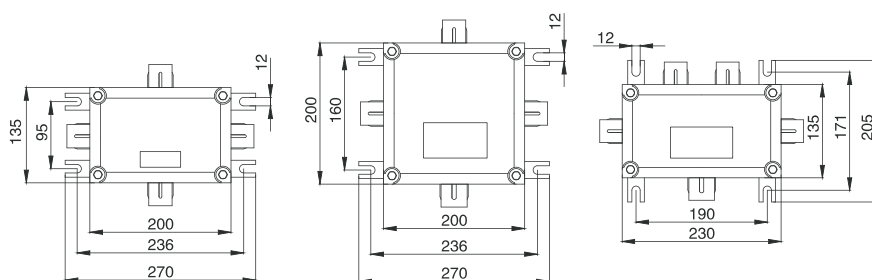


BXJ

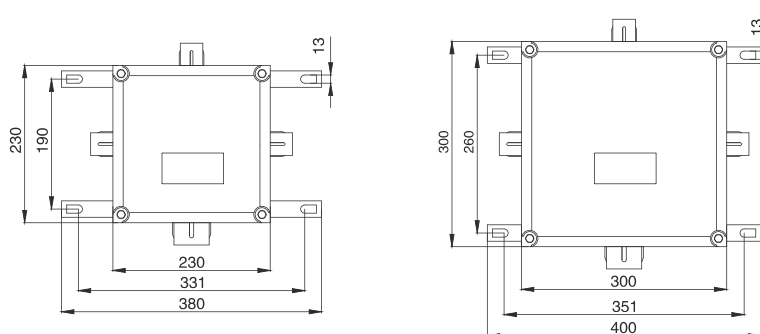
Type explosion-proof junction box
(II B, II C, e)



(II C)



(e)



(e)