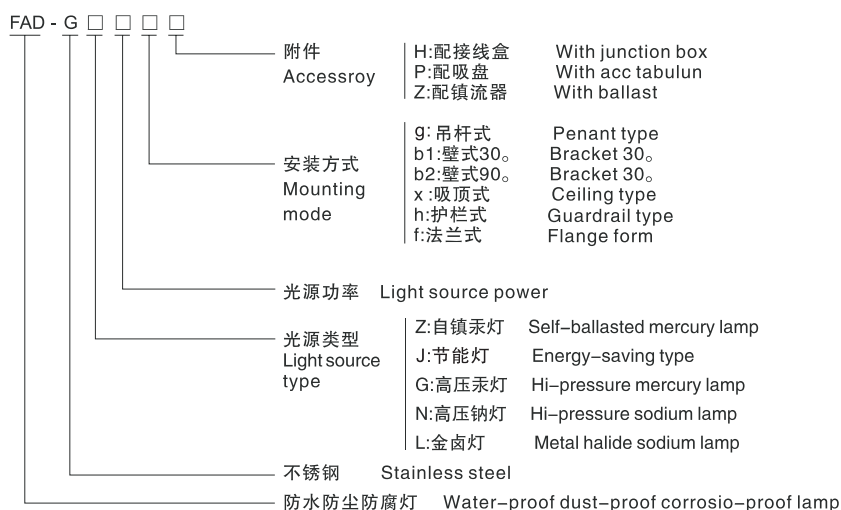


FAD-G

Type water-proof dust-proof corrosion-proof stainless steel lam



型号含义 Model implication



使用环境 Environmenr conditions

- 环境温度-25° C至+55° C;
- 安装高度不超过海拔2000m;
- 适用于强酸、强碱、盐、氨、氯离子腐蚀多水、多尘、潮湿等环境;
- 广泛应用于石油、化工、码头、食品、制药，等军工等工厂企业。主要作为厂房照明，尤其是腐蚀性强的车间照明
- 根据不同的光源，必须选择匹配的镇流器，用户电源电压波动范围必须满足国家标准要求。
- Ambient temperature is-25° Cto +55° C.
- The height of installment can' t over 2000 meters above sea level.
- they can withstand the corrosion of strong acid,stromgalkalim,salt, ammoonia chlorine,and the environmentof more watet,more dust and humidity.
- they are widely used in the lines of pertroleum,chemistry,dock, food mendicine,war industry and so on,they are mainly used in the illuminationof the espeially the illumination of the workshops with strong corrosion
- According to different illumination,they must choose electricl ballast accordingly,the user' s power voltage fluctant range must accordto the national standard.

产品特点 Features

- 灯具壳体采用不锈钢材质拉伸而成，结构轻快，表面抛光处理，外形美观;
- 本产品抗弱酸、强碱、盐、氨、氯离子腐蚀，防腐等级为WF2，防护等级为IP65;
- 内装灯头采用铜质直动柱式触头，接触可靠，寿命长。
- 所有外露紧固件均采用不锈钢，密封件采用硅橡胶、耐油、耐酸、耐碱、耐高温;
- 安装方式多样，灯罩三爪扣合，能快速开启，便于维修。

FAD-G

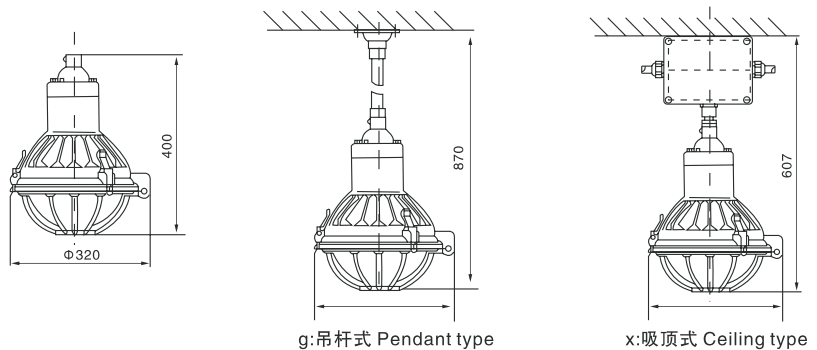
系列防水防尘防腐不锈钢灯

- Light appliance's shell is die-casted by 306 stainless steel light structure, the inner and outer surface is polished with beautiful appearance
- The products can withstand the corrosion of weak acid, strong acid, salt, ammonia, chlorine, and have the function of water-proof, dust-proof. Anti-corrosion grade is F2, the protection grade reaches Ip65.
- Inner lamphead adopts cupreous and right-touch, credible touch and long life.
- All the leakage fixers adopt stainless steel, the sealers adopt silicon rubber, which can withstand oil, acid, alkali and high temperature.
- Installation methods are versatile, the lamp cover is fastened by three claws which can open quickly, and be convenient for maintenance.

技术参数 Technical parameters

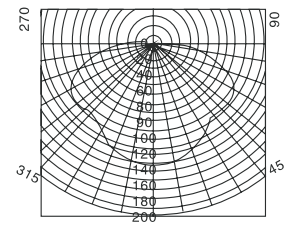
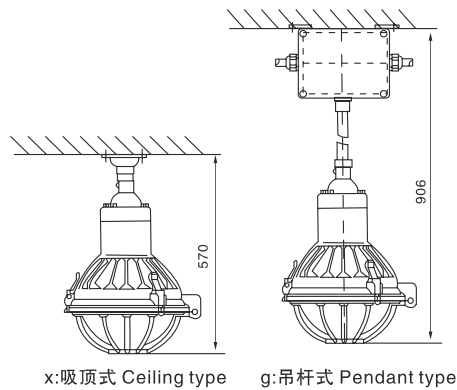
光源类型 Light source type	额定电压(V) Rated voltage	额定功率(W) Rated power	防护等级 Protection grade	防腐等级 Corrosion- proof grade	灯座规格 Lamp spec	电缆规格 (Φ, mm) Cable's spec	进线口规格(G") Inlet's spec.
高压汞灯 Hi-pressure mercury lamp	AC220V	≤125	IP65	WF2	E27 E40	9~14	3/4
金卤灯 Metal halide lamp		≤100					
高压钠灯 Hi-pressure sodium lamp		≤110					
自镇汞灯 Self-ballasted mercury lamp		≤125					
节能灯 Energy-saving lamp		≤65					

外形及安装举例 Outline and mounting example

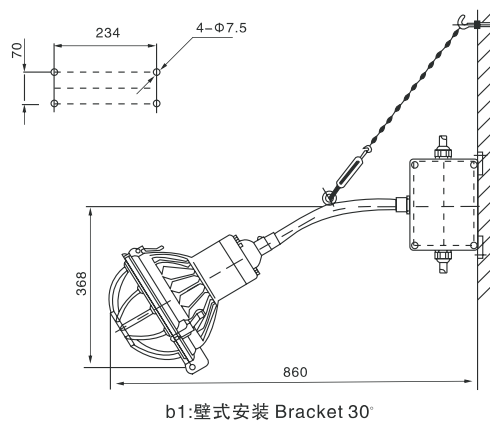


FAD-G

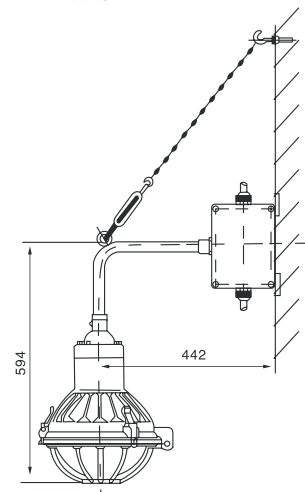
Type water-proof dust-proof corrosion-proof stainless steel lam



配光曲线 Cd/1000lm



b1: 壁式安装 Bracket 30°



b2: 壁式安装 Bracket 90°

订货须知 Ordering references

订货时请注明产品的完整型号;

Provide complete ordering products type.

本产品出厂时不配光源, 由用户自备。

Without providing the illuminant of lamp appliance.